

SW-20 NMEA-0183 Distributor

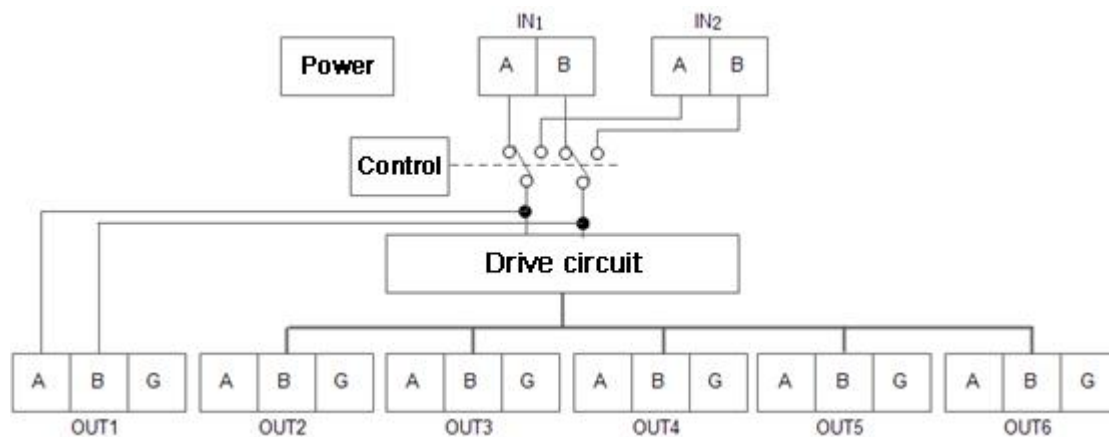


Introduction

SW-20 NMEA-0183 signal distributor can make 1-channel signal into 6-channel signals with the same format (NMEA-0183), then the problem of signal driving capability can be resolved.

In addition, SW-20 with switching function, you can choose a channel of the 2-channel entering as the working signal.

Feature



- 2-channel NMEA-0183 signal of RS422 / 485 Inputs, select one of them as the driver output.

- 6-channel NMEA-0183 signal of RS422 / 485 outputs, the first output directly connect the input, and other 5-channel outputs by the driver. Power-down situations, OUT1 and IN1 is directly connected.

- Power Supply: 24VDC (Voltage Range: 18V~36V).
- Power Consumption :< 1W
- Operation Temperature:-30°C~+70°C ; Storage:-40°C~+85°C
- WaterProof: IP65
- Weight: 100g
- Length×Weight×Height: 191×111×67(mm)